

G-8038-LM15E-T

Canterbury Collection

Traditional M-Series 2-Way Diverter Valve Trim with Handle

GRAFF[®]
CUTTING EDGE DESIGN



Product Features

- Single metal handle
- Decorative trim plate
- Use with G-8052 2-way diverter volume control valve WITH off function and pass-through

Available Finishes

- Polished Chrome
G-8038-LM15E1-PC-T
- Polished Nickel
G-8038-LM15E1-PN-T
- Steinox
G-8038-LM15E1-SN-T
- Olive Bronze
G-8038-LM15E1-OB-T
- Gold*
G-8038-LM15E1-AU-T*

* Special order finish- call for availability

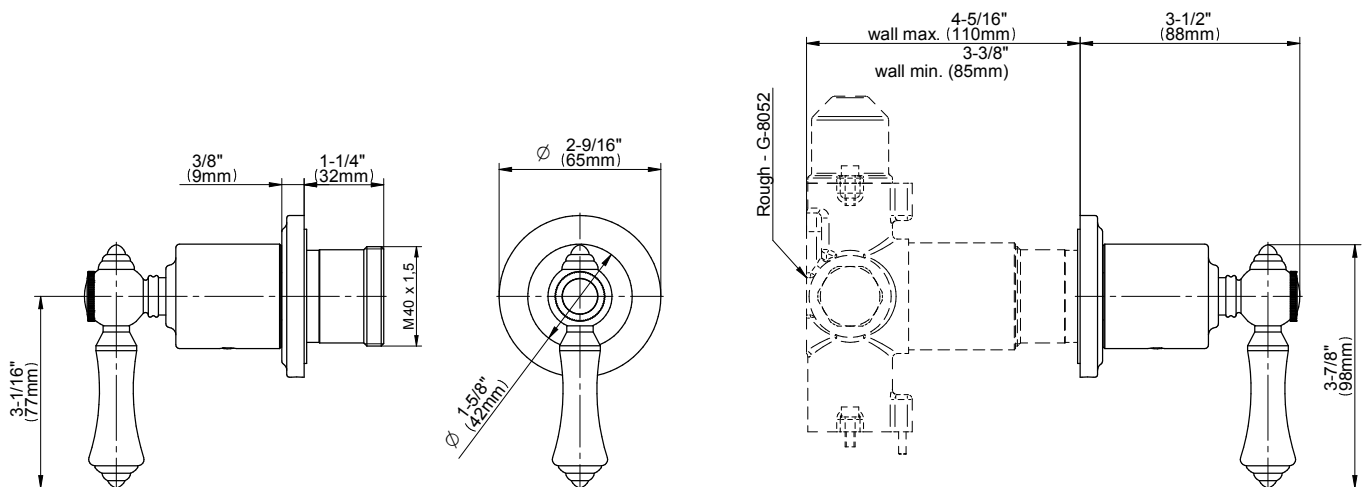
Code Compliance

- ADA

Warranty

- Limited lifetime warranty

For complete warranty information go to <https://www.graff-faucets.com/en/info/faqs>



The measurements shown are for reference only. Products and specifications shown are subject to change without notice. Revised 1/2018

www.graff-designs.com | phone: 800-954-4723